

DEDALUS

30.7 | 30.9 | 34.7 | 32.9



DIECI



CONTINUOUS EVOLUTION

Constantly ahead in terms of technological solutions, Dieci continues the evolutionary process of its vehicles, raising its standards even higher with the **New Construction Range**.

Reliability, efficiency and safety are enhanced through improved technologies and instrumentation and the introduction of **futuristic integrated technical solutions**.

New engines, **intuitive and functional diagnostics** and controls, **new chassis** and **new transmissions** bring tomorrow's construction telehandlers into the field today.

The **DEDALUS models**, now with **new sizes and new lifting capacities**, are particularly suitable to be used in road maintenance works, in town centers and in narrow passageways where **strength** and agility is essential. The key points of these **compact, rugged and dynamic vehicles** are their manageability and speed of movement.

DEDALUS

NEW MODELS 30.7 | 30.9 34.7 | 32.9

THE RIGHT SIZE

The **Dedalus family now offers new sizes**. According to the requirement, the most appropriate size of vehicle can be selected for the specific job.

The different models are available in **increased capacities and different heights**, while maintaining the same agility and efficiency.



30.7 DEDALUS

- ↑ Height 6,35 m
- 📦 Capacity 3 t

30.9 DEDALUS

- ↑ Height 8,65 m
- 📦 Capacity 3 t

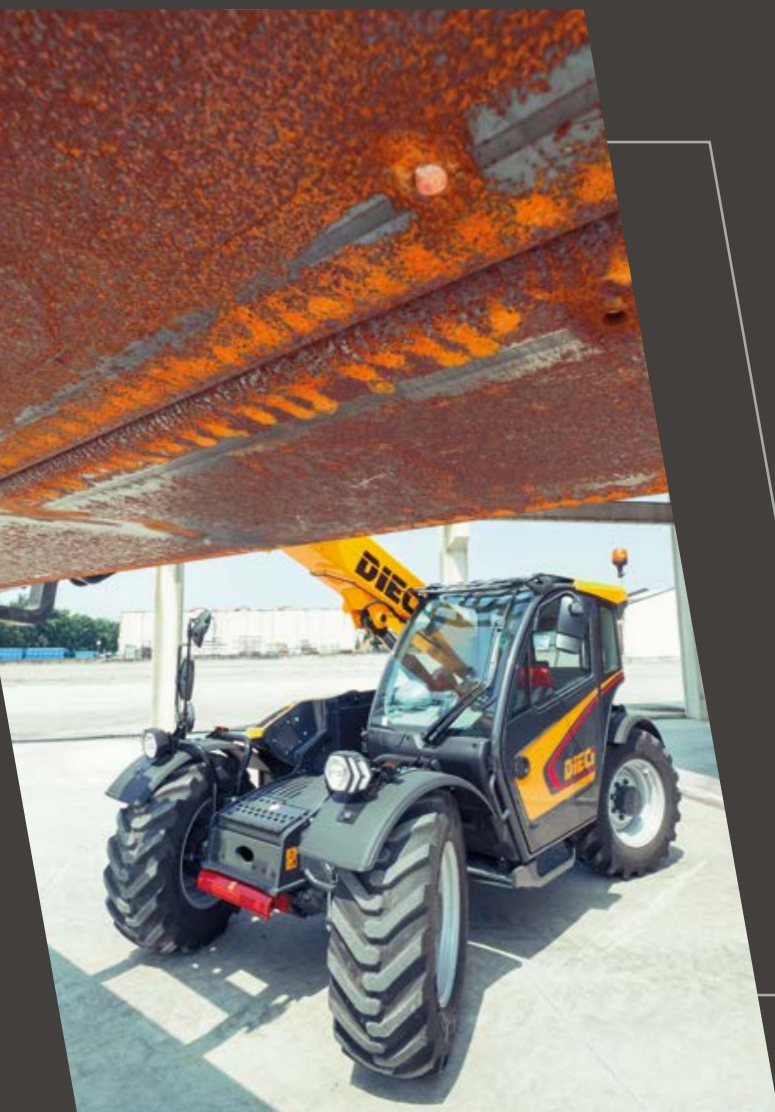
34.7 DEDALUS

- ↑ Height 6,35 m
- 📦 Capacity 3,4 t

32.9 DEDALUS

- ↑ Height 8,65 m
- 📦 Capacity 3,2 t





THE SAFETY OF CONTROL

Top priority, safety on Dieci construction machinery is achieved through vehicle control in compliance with current regulations.

- **Arm too high** function: the travel speed is limited automatically when the boom is raised.
- **Soft Motion** system: boom movements more easy to control, with reduced speed on approaching the end of stroke and when the anti-tipping system is in pre-alarm conditions.
- **Anti-tipping system**: compliant with EN15000 aggravating movements blocked in the event of overload and load level always in evidence.



DTS

The **Dieci Telematic System** allows the Dieci service team to interact with the vehicle remotely.

It telematically collects and sends operational data for easier and more comprehensive **monitoring, diagnostics and maintenance**.

Vehicle and operators protected from theft and accidents thanks to GSM and GPS connections.

ROBUST RELIABILITY

The New Dedalus Range is even more performing with a series of interventions that increase the vehicles' strength and lifting capacity.

- **Reinforced booms** made of High Resistance Steel
- More rigid and more stable **reinforced chassis**
- Double-cylinder, double-action **hydraulic accessories lock** for maximum equipment stability
- **Rops and Fops Cab (II level)**: operator protection guaranteed thanks to the dimensional stability of the cab





EASY AND INTUITIVE

- **Travel direction** and **boom** are controlled exclusively by the **new joystick**, which incorporates the direction selector (reverse shuttle - FNR) for **intuitive** and comfortable **control**.
- All vehicle control functions are handled by a single **electronic control** that measures working parameters and optimizes machine behavior according to the operator's commands.
- The advanced diagnostic system provides information on the operation of the **electronic control**.
- **Load Sensing - Flow Sharing** distributors: these two hydraulic technologies ensure more simultaneous movements and greater response to controls, for more precise and effective work.



VERSATILE AND FLEXIBLE

- The Dieci telehandlers have been designed to use the **various equipment** needed to carry out **all the work required** in a construction site: forks, loaders, lifting hooks, jibs, grippers, material baskets, mixing buckets, concrete ladles, sweepers, salt spreader, snowplow blades.
- **Automatic equipment recognition:** the vehicle configures itself automatically recognizing the type of equipment attached.



FUNCTIONAL COMFORT

- **Giugiaro Design cab:** comfort with style in a clean and safe environment for the operator.
- **More legroom** for the operator.
- Adjustable steering column, seat and armrest allow everyone to find the right driving position.
- **Three seat suspension systems** to choose from: mechanical, pneumatic and low frequency pneumatic to dampen all oscillations.
- Soundproofing roof, dashboard and mat for a quiet environment.
- Large windows for 360° visibility.
- **LED work lights** on cab, boom and the vehicle's perimeter for maximum visibility even at night.
- Rear-view mirrors that allow all-round visibility of the vehicle and **optional cameras** for challenging maneuvers.



TECHNOLOGICAL EFFICIENCY

- **New control software** developed by the Dieci R&D department: integrated management of boom, vehicle, Diesel engine, transmission and exhaust gas treatment for safe efficiency in all working conditions.
- Fully electronically controlled **hydrostatic transmission** to combine performance and efficiency in work.
- **Low consumption, high efficiency, optimized yield and maximum safety** in all the vehicle conditions of use are the result of the successful development and integration of the chosen high quality components.

HYDROSTATIC TRANSMISSION WITH ELECTRONIC CONTROL

LOW CONSUMPTION

NEW SOFTWARE

TECHNICAL DATA

PERFORMANCE

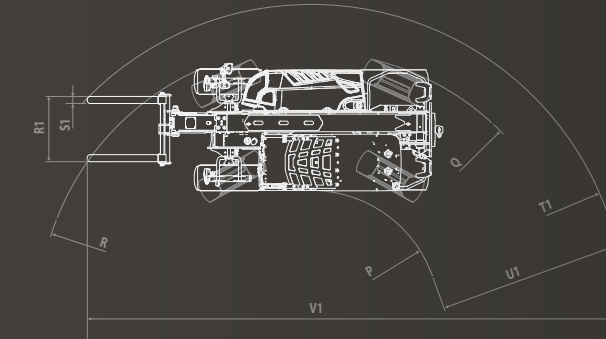
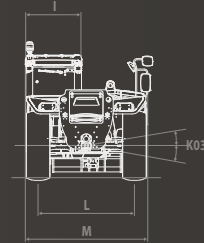
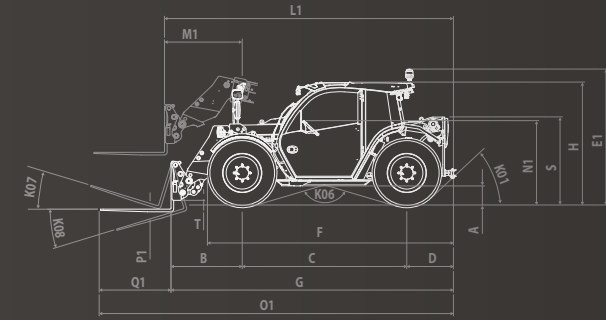
Vehicle model	DEDALUS 30.7 - GD	DEDALUS 34.7 - GD	DEDALUS 30.9 - GD	DEDALUS 32.9 - GD
Maximum capacity	3000 kg (6614 lb)	3400 kg (7496 lb)	3000 kg (6614 lb)	3200 kg (7055 lb)
Maximum lifting height	6,35 m (20,8 ft)	6,35 m (20,8 ft)	8,7 m (28,5 ft)	8,7 m (28,5 ft)
Pull-out force	5800 daN (13039 lbf)	5800 daN (13039 lbf)	5800 daN (13039 lbf)	5800 daN (13039 lbf)
Towing force	5800 daN (13039 lbf)	5800 daN (13039 lbf)	5800 daN (13039 lbf)	5800 daN (13039 lbf)
Maximum climb angle	40%	40%	40%	40%
Unladen weight	6700 kg (14771 lb)	6950 kg (15322 lb)	6880 kg (15168 lb)	7050 kg (15543 lb)
Max speed (referred to wheels with maximum permitted diameter)	36 km/h (22,4 mph)	36 km/h (22,4 mph)	36 km/h (22,4 mph)	36 km/h (22,4 mph)

ENGINE

Vehicle model	DEDALUS 30.7 - GD	DEDALUS 34.7 - GD	DEDALUS 30.9 - GD	DEDALUS 32.9 - GD
Brand	Kubota	Kubota	Kubota	Kubota
Nominal power	55,4 kW (74 HP)	55,4 kW (74 HP)	55,4 kW (74 HP)	55,4 kW (74 HP)
@rpm	2600 rpm	2600 rpm	2600 rpm	2600 rpm
Displacement	3331 cm ³ (203 in ³)	3331 cm ³ (203 in ³)	3331 cm ³ (203 in ³)	3331 cm ³ (203 in ³)
Emission standard	Stage V/Tier 4f	Stage V/Tier 4f	Stage V/Tier 4f	Stage V/Tier 4f
Exhaust gas treatment	DOC+DPF	DOC+DPF	DOC+DPF	DOC+DPF
Intake	Turbocharger after-cooler	Turbocharger after-cooler	Turbocharger after-cooler	Turbocharger after-cooler

HYDRAULIC SYSTEM

Vehicle model	DEDALUS 30.7 - GD	DEDALUS 34.7 - GD	DEDALUS 30.9 - GD	DEDALUS 32.9 - GD
Hydraulic pump type	Gear pump for power steering and movements	Gear pump for power steering and movements	Gear pump for power steering and movements	Gear pump for power steering and movements
Hydraulic pump capacity	100 l/min (26,4 gal/min)	100 l/min (26,4 gal/min)	100 l/min (26,4 gal/min)	100 l/min (26,4 gal/min)
Max. operating pressure	24,5 MPa (3553 psi)	25,7 MPa (3727 psi)	24,5 MPa (3553 psi)	25,7 MPa (3727 psi)
Distributor control	4 in 1 proportional Joystick with FNR	4 in 1 proportional Joystick with FNR	4 in 1 proportional Joystick with FNR	4 in 1 proportional Joystick with FNR



TRANSMISSION

Vehicle model	DEDALUS 30.7 - GD	DEDALUS 34.7 - GD	DEDALUS 30.9 - GD	DEDALUS 32.9 - GD
Transmission type	Hydrostatic with variable displacement pump	Hydrostatic with variable displacement pump	Hydrostatic with variable displacement pump	Hydrostatic with variable displacement pump
Hydraulic motor	Hydrostatic with continuous automatic adjustment	Hydrostatic with continuous automatic adjustment	Hydrostatic with continuous automatic adjustment	Hydrostatic with continuous automatic adjustment
Reversal	With electronic control operated with vehicle in motion	With electronic control operated with vehicle in motion	With electronic control operated with vehicle in motion	With electronic control operated with vehicle in motion
Inching	With electronic pedal for controlled forward movement	With electronic pedal for controlled forward movement	With electronic pedal for controlled forward movement	With electronic pedal for controlled forward movement
Transmission gearbox	Servo-controlled 2-speed	Servo-controlled 2-speed	Servo-controlled 2-speed	Servo-controlled 2-speed

DIMENSIONS

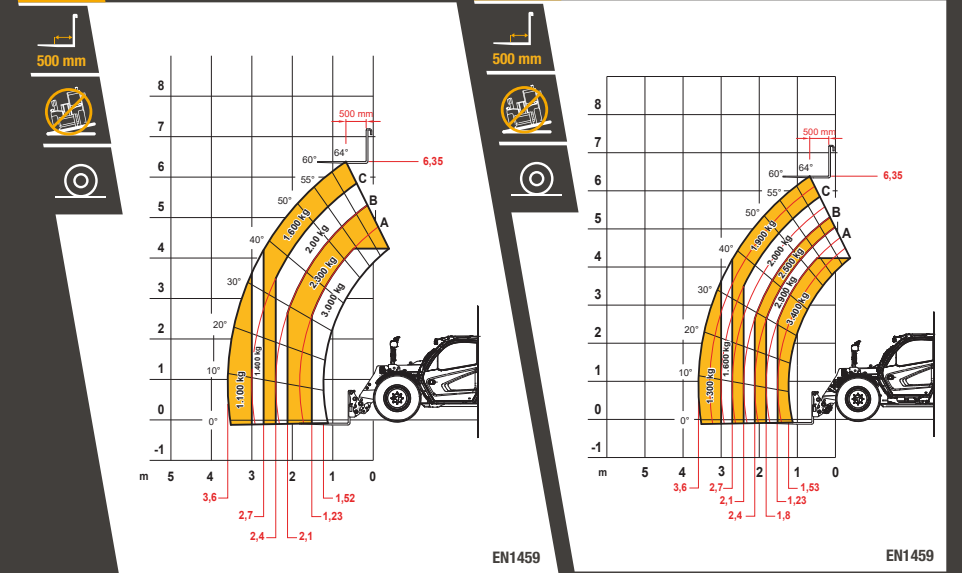
Vehicle model	DEDALUS 30.7 - GD	DEDALUS 34.7 - GD	DEDALUS 30.9 - GD	DEDALUS 32.9 - GD
A	270 mm (10,6 in)	270 mm (10,6 in)	270 mm (10,6 in)	270 mm (10,6 in)
B	1200 mm (47,2 in)	1200 mm (47,2 in)	1240 mm (48,8 in)	1240 mm (48,8 in)
C	2830 mm (111,4 in)	2830 mm (111,4 in)	2830 mm (111,4 in)	2830 mm (111,4 in)
D	785 mm (30,9 in)	785 mm (30,9 in)	785 mm (30,9 in)	785 mm (30,9 in)
E1	2350 mm (92,5 in)	2520 mm (99,2 in)	2350 mm (92,5 in)	2520 mm (99,2 in)
F	4207 mm (165,6 in)	4207 mm (165,6 in)	4207 mm (165,6 in)	4207 mm (165,6 in)
G	4815 mm (189,6 in)	4815 mm (189,6 in)	4855 mm (191,1 in)	4855 mm (191,1 in)
H	2040 mm (80,3 in)	2210 mm (87,0 in)	2040 mm (80,3 in)	2210 mm (87,0 in)
I	966 mm (38,0 in)	966 mm (38,0 in)	966 mm (38,0 in)	966 mm (38,0 in)
K01	42 °	42 °	42 °	42 °
K03	15 °	16 °	15 °	16 °
K06	149 °	149 °	149 °	149 °
K07	18 °	18 °	18 °	18 °
K08	129 °	124 °	129 °	124 °
L	1650 mm (65,0 in)	1710 mm (67,3 in)	1650 mm (65,0 in)	1710 mm (67,3 in)
L1	4940 mm (194,5 in)	4940 mm (194,5 in)	4960 mm (195,3 in)	4960 mm (195,3 in)
M	2075 mm (81,7 in)	2120 mm (83,5 in)	2120 mm (83,5 in)	2120 mm (83,5 in)
M1	1324 mm (52,1 in)	1324 mm (52,1 in)	1344 mm (52,9 in)	1344 mm (52,9 in)
N1	1385 mm (54,5 in)	1555 mm (61,2 in)	1385 mm (54,5 in)	1555 mm (61,2 in)
O1	6015 mm (236,8 in)	6015 mm (236,8 in)	6055 mm (238,4 in)	6055 mm (238,4 in)
P	1967 mm (77,4 in)	1345 mm (53,0 in)	1967 mm (77,4 in)	1345 mm (53,0 in)
P1	45 mm (1,8 in)	45 mm (1,8 in)	45 mm (1,8 in)	45 mm (1,8 in)
Q	4482 mm (176,5 in)	3800 mm (149,6 in)	4482 mm (176,5 in)	3800 mm (149,6 in)
Q1	1200 mm (47,2 in)	1200 mm (47,2 in)	1200 mm (47,2 in)	1200 mm (47,2 in)
R	4461 mm (175,6 in)	3940 mm (155,1 in)	4461 mm (175,6 in)	3940 mm (155,1 in)
R1	1100 mm (43,3 in)	1100 mm (43,3 in)	1100 mm (43,3 in)	1100 mm (43,3 in)
S	1445 mm (56,9 in)	1445 mm (56,9 in)	1445 mm (56,9 in)	1445 mm (56,9 in)
S1	120 mm (4,7 in)	120 mm (4,7 in)	120 mm (4,7 in)	120 mm (4,7 in)
T	63 mm (2,5 in)	30 mm (1,2 in)	115 mm (4,5 in)	115 mm (4,5 in)
T1	5200 mm (204,7 in)	4800 mm (189,0 in)	5228 mm (205,8 in)	4825 mm (190,0 in)
U1	3233 mm (127,3 in)	3455 mm (136,0 in)	3267 mm (128,6 in)	3480 mm (137,0 in)
V1	9018 mm (355,0 in)	8615 mm (339,2 in)	9085 mm (357,7 in)	8680 mm (341,7 in)

30.7

max 3000 kg

34.7

max 3400 kg

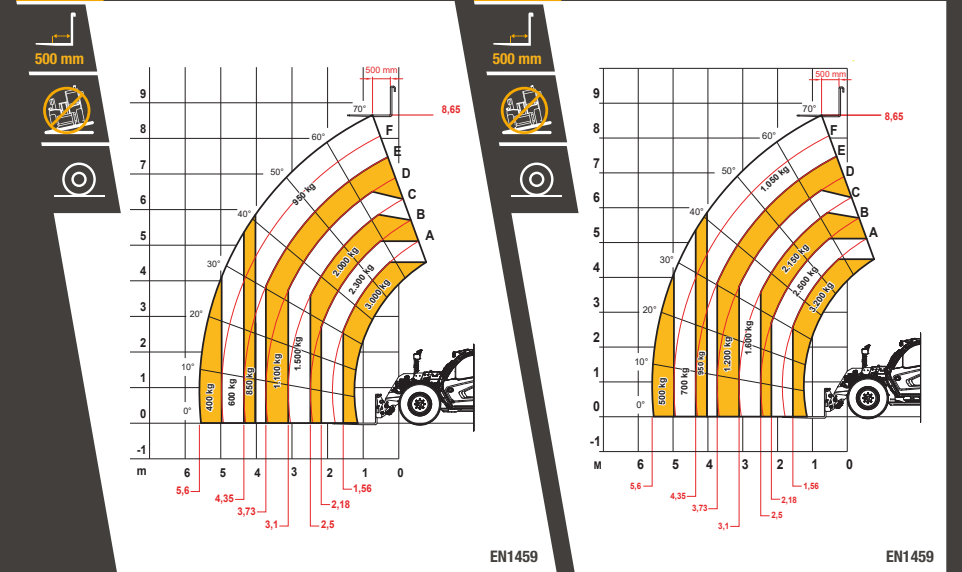


30.9

max 3000 kg

32.9

max 3200 kg



DIECI SERVICE

General headquarters in Emilia Romagna - over 135,000 square meters and about 400 people employed - and 3 branches in Germany, United Kingdom, France: Dieci is present in over 70 Countries with **an extensive network of over 400 dealers** and authorized service centers.

Dieci Service, our global technical assistance service, is developed on this basis: our customers are assisted directly by specialized technicians and every request is satisfied in a very short time. Dieci Service, **within a few hours, can provide interventions and spare parts all over the world.**

Visit www.dieci.com to find the dealer closest to you.

400 DEALERS

70 COUNTRIES

3 BRANCHES



DEDALUS

30.7 | 30.9 | 34.7 | 32.9

INVICTO

DIECI

www.dieci.com



Ph: masterservicelorenz.it